

Installation Guide for EasyForm Lead Free Flashing

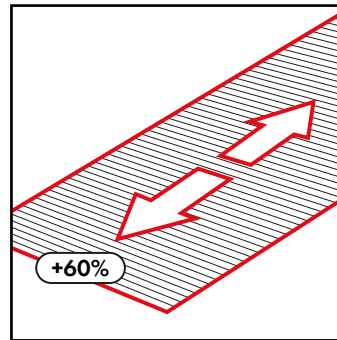


General Guidance Notes

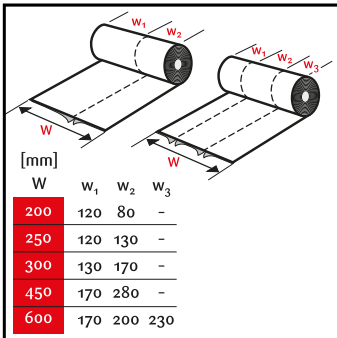
(applicable to all EasyForm installations)



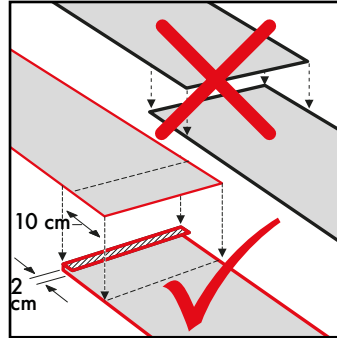
Do not use EasyForm on wet, dusty, greasy or oily surfaces.



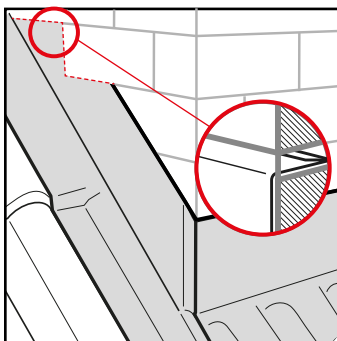
EasyForm can stretch up to 60% in the direction of the roll to enable dressing into the pan of the tile.



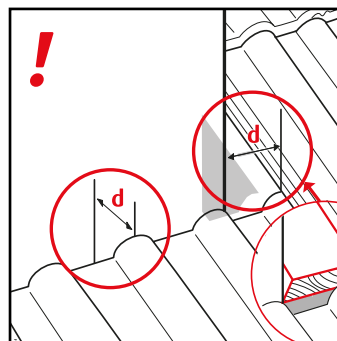
EasyForm is available in different widths. Depending on the roll width, the release paper is applied in several parts to make work easier.



To join two pieces of EasyForm fold back 20mm minimum so butyl from the lower section meets the butyl from the upper section. This should form part of a 100mm overlap.



When dressing into a brickwork joint allow 30mm to ensure EasyForm is able to return. Complete with Klover Flashing Sealant (PACCSE). Secure with wedges and complete with Klover Flashing Sealant (PACCSE).

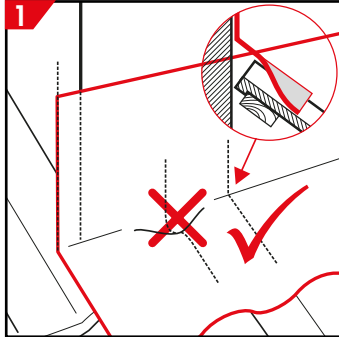


All gaps of 30mm and over should be supported.



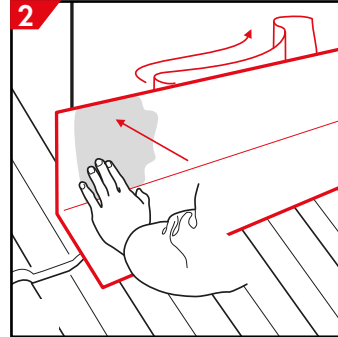
Installation of Horizontal Top Edge Abutment Flashing

(Profile Tile)

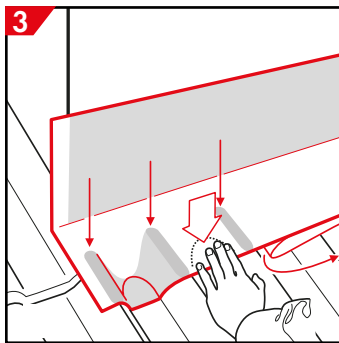


Position a length of 250mm or 300mm EasyForm on a clean, dry and dust free surface.

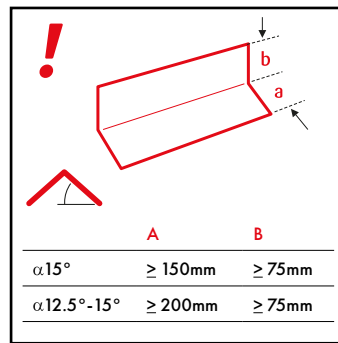
Form a fold and place on the high point of the roll, allowing 30mm for dressing into the brickwork joint. Do not press the EasyForm into the pan of the tile at this point.



Remove the protective film from the upper section of EasyForm and carefully dress into the brickwork joint. This can be secured with wedges before finishing with Klobber Flashing Sealant (PACCSE). Press the remainder of the vertical section against the brick wall.



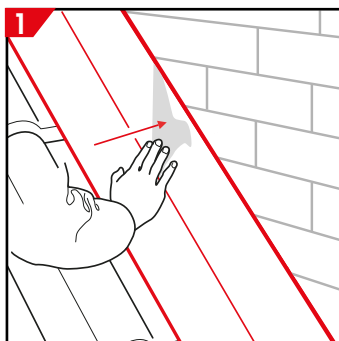
Remove protective film from the lower section and press onto the high points of profiled tiles. The EasyForm can now be dressed firmly into the pan of the tile, using a roller if necessary.



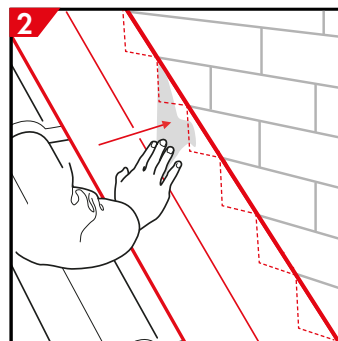
Ensure the correct overlap in relation to the roof pitch.

Side Abutment Step and Cover Flashing

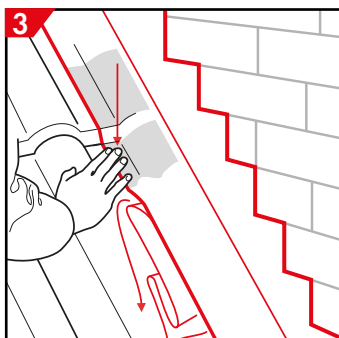
(Profile Tile)



To form a single piece step and cover flashing for use on a profiled interlocking tile, select a piece of 450mm wide EasyForm of suitable length. This should be positioned to form a fold line allowing 150mm minimum vertical upstand and a minimum 150mm wide, or cover to a complete pan and roll horizontally.



Next mark out and cut lines to form the steps from the vertical section as you would with lead ensuring a 65mm minimum vertical upstand is maintained before any cuts. Remember to allow 30mm for chasing into the brickwork



Place the EasyForm into position, gradually peel off the backing paper to the vertical section and press into place. The stepped detail should be completed by dressing the EasyForm into each brickwork joint. Finally, remove the backing paper from the lower section and carefully work onto the tile surface.